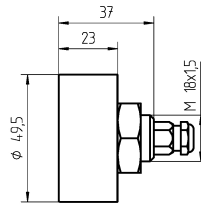


Surface-mounted luminaire HEAD LED MCAYL 4 S

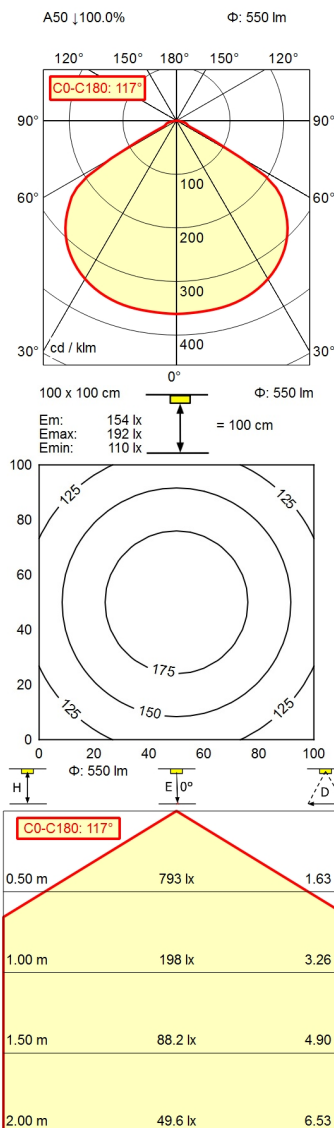
113155000-00646485

Waldmann **W**

ENGINEERS OF LIGHT



Serie 763



Light source	LED
Work equipment	Without
Connected load	16 - 32 V; DC
Power consumption	ca. 5,5 W
Luminous flux	approx. 550 lm
Luminous efficiency	approx. 100 lm/W
Light type/-color	Daylight
Colour temperatur	approx. 6.500 K
Color rendering index	CRI \geq 80; R9 \geq 10
Light distribution	Wide beam; Direct; Symmetric
Beam angle	120°
Chromaticity tolerance LED	< 6 SDCM
Glare control	Without
Luminance (L65)	\leq 45.000 cd/m ²
Unified glare rating (4H 8H)	> 28
System of protection	IP 67
Class of protection	III
Technology	Switchable; -
Operation	External
Housing	Aluminium; Anodised; Silver metallic
Light source cover	Borosilicate
Weight (net)	ca. 0,2 kg
Mains lead	ca. 0,15 m; Built-in plug; Serie 763
Design	mounted version
Fastening	Screwing
Maximum ambient temperature	25 °C
Special features	Flood